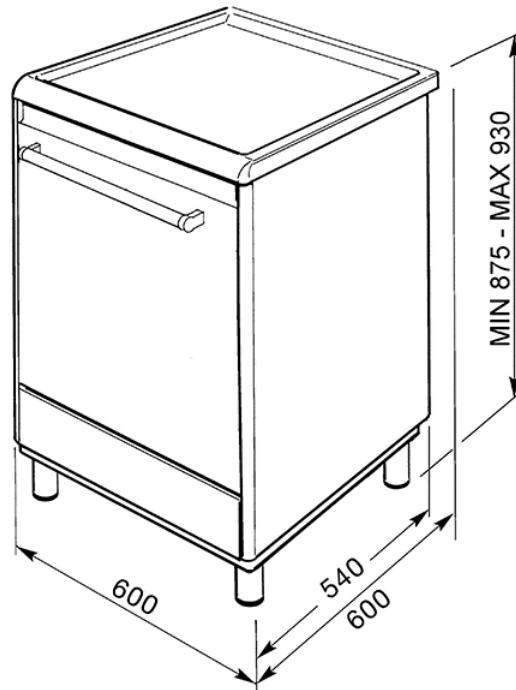


60CM Cooker with Multifunction Oven & Ceramic Hob, Stainless steel. Energy rating A  
EAN13: 8017709150006



• **Programs / Functions** • Cleaning system: Hidrolytic • N° of functions: 8 • **Aesthetics** • Design: Round design Design • Aesthetics: Classic • Oven door: Full glass • Upstand: yes • Command panel finish: Stainless steel • Knob type: Smeg Classic • Handle: Smeg Classic • Display type: electronic 5 buttons • Oven door glass type: Stopsol • Feet: Silver grey • **Hob technical features** • Total cook zones: 4 • Front left - Ceramic - double - 750 W + 1450 W - Ø D212 mm • Rear left - Ceramic - single - 750 W + 1450 W - Ø D147 mm • Rear right - Ceramic - extendible - 1400 W + 800 W - Ø 170x265 OV mm • Front right - Ceramic - single - 1300 W (booster 1400 W) - Ø D182 mm • **Main Oven Technical Features** • Main oven type: Termoventilated • Gross capacity (Lt) oven 1: 79 • Cavity material: Ever Clean enamel • No of shelves: 5 • Shelves type: Metal racks • No. of lights: 1 • Time setting: Start and Stop • Removable door • Full glass inner door • Removable inner door • N° total door glasses: 2 • Cooling system: Tangential • Grill element: 1700 W • Grill type: Electric • Large grill \_ Power: 2700 W • **Options Main Oven** • Timer • End of cooking acustic alarm • Minimum Temperature: 40 °C • Maximum temperature: 260 °C • **Accessories included Main Oven** • Scraper: 1 • Oven grid with back stop: 2 • 40mm deep tray: 1 • **Electrical Connection** • Electrical connection rating: 10500 W • Current: 46 A • Voltage: 220-240 V • Frequency: 50/60 Hz

## FUNCTIONS



Main Oven