

## DHT82EIN

60 cm Free-standing Tumble dryer,  
White, Energy efficiency class A++

EAN13: 8017709209506

### Programs / Functions

Number of programmes: 16

Programmi: Cotton Iron Dry, Cotton Cupboard Dry +, Cotton Extra Dry, Synthetic Iron Dry, Synthetic Cupboard Dry, Delicate, Refresh, 45 min, 30 min, Shirts, Sport, Baby, Daily, Cotton Cupboard Dry, Quick 49 min, Jeans

Special programs: Refresh, Delicate, Rapid 30 min, Business, Sport

Display: Delay start set, Rest time indication, Visualisation of the selected options

Delay timer option: Up to 24 hours

Acoustic signal off option

Indicator programme progress

Indicator end of cycle

Indicator filter clean

Indicator condense container full

### Technical Features

Drying system: Condensing with heat pump

Type of motor: Standard

Controls: Electronic

Humidity sensor (auto programs)

Dying temperature regulation: Yes, with programme selection

Cooling down phase

Anti-crease phase

Internal light

Condenser filter

Fluffy filter

Drum material: Stainless steel

Transparent door

Door size: 40 cm

Max. door opening angle: 178 °

Child lock (programme set lock)

Heating pump system

Condense water drain hose

Column installation, just with compatible washing-machine:  
With stacking kit, available as optional

Optional: KITSPXL - Stacking kit

### Performance / Energy Label

Load capacity (cotton): 8 kg

Type of tumble dryer: Heat pump

Annual energy consumption: 230 Kwh

Energy consumption of the standard cotton programme at full  
load: 1.92 Kwh

Energy consumption of the standard cotton programme at  
partial load: 1.03 Kwh



Power consumption of the off-mode for the standard cotton programme at full load: 0.5 W

Power consumption of the left-on mode for the standard cotton programme at full load: 1.0 W

Condensation efficiency class: B

Average condensation efficiency of the standard cotton programme at full load: 91 %

Average condensation efficiency of the standard cotton programme at partial load: 91 %

Average condensation efficiency of the standard cotton programme at full and partial load: 91 %

Noise level for the standard cotton programme at full load: 65 dB(A) re 1 p

## Options

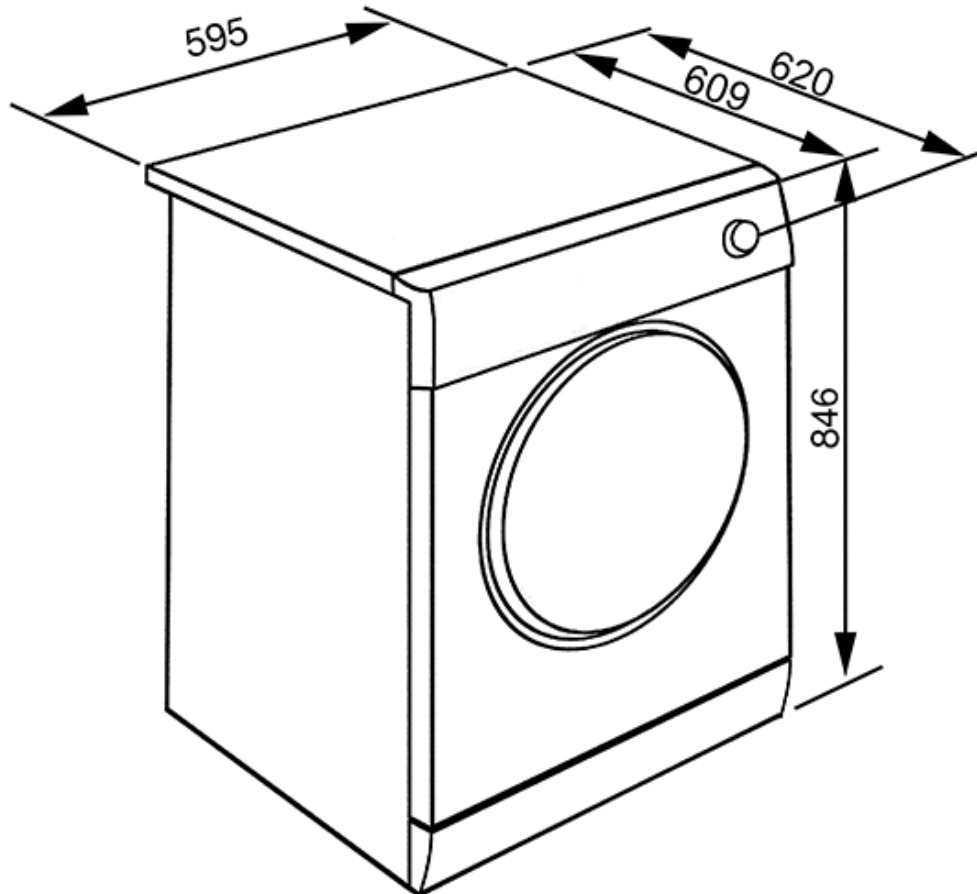
---

- **KITSPXL** - Stacking kit



## DHT82EIN

dryer  
free standing  
60 cm  
white  
energy rating A++  
front loading



SMEG S.p.A.  
Via Leonardo da Vinci, 4  
42016 Guastalla (RE)  
Tel. 0522 821 1