

DHT83LIN

60 cm Free-standing Tumble dryer,
White, Energy efficiency class A+++

EAN13: 8017709209513

Programs / Functions

No. of programmes: 16

Programmes: Cotton Iron Dry, Cotton Extra Dry, Synthetic Iron Dry, Synthetic Cupboard Dry, Delicates, Refresh, Baby, Daily, Cotton Cupboard Dry, Quick 49 min, Jeans, Mix, Shirts 30 min, Timed Programmes, Night, Woolmark Apparel Care

Special programmes: Woolmark Apparel Care, Refresh, Quick 49 min, Delicates, Baby

Display: Delay start, Residual time indicator, Visualisation of the selected options

Delay timer option: Up to 24 hours

Easy iron option

Woolmark Cycle: Yes, Woolmark Apparel Care

Woolmark Code: M14029

Option drying level

Option Time Programmes

Acoustic signal off option

Programme progress indicator

End of cycle indicator

Clean filter indicator

Condenser container full indicator

Technical Features

Type of motor: Brushless/Inverter

Functioning: Electronic control

Humidity sensor

Time drying selection: From 10 to 160 min

Drying temperature regulation

Cooling down phase

Anti-iron phase

Internal light

Condenser filter

Fluff filter

Drum material: Stainless steel

Transparent door

Door size: 40 cm

Max. door opening angle: 178 °

Child lock (programme set lock)

Heating pump system

Condenser water drain hose

Column installation, with compatible washing-machine: With stacking kit, available as optional accessory

Performance / Energy Label

Load capacity (cotton): 8 Kg

Type of dryer: Heat pump

Energy efficiency class: A+++



Annual energy consumption: 176 KWh

Energy consumption of the standard cotton programme at full load: 1.42 KWh

Energy consumption of the standard cotton programme at partial load: 0.81 KWh

Power consumption of the off-mode for the standard cotton programme at full load: 0.5 W

Power consumption of the left-on mode for the standard cotton programme at full load: 1.0 W

Condensation efficiency class: A

Average condensation efficiency of the standard cotton programme at full load: 91 %

Average condensation efficiency of the standard cotton programme at partial load: 91 %

Average condensation efficiency of the standard cotton programme at full and partial load: 91 %

Noise level for the standard cotton programme at full load: 65dB(A) re 1pW

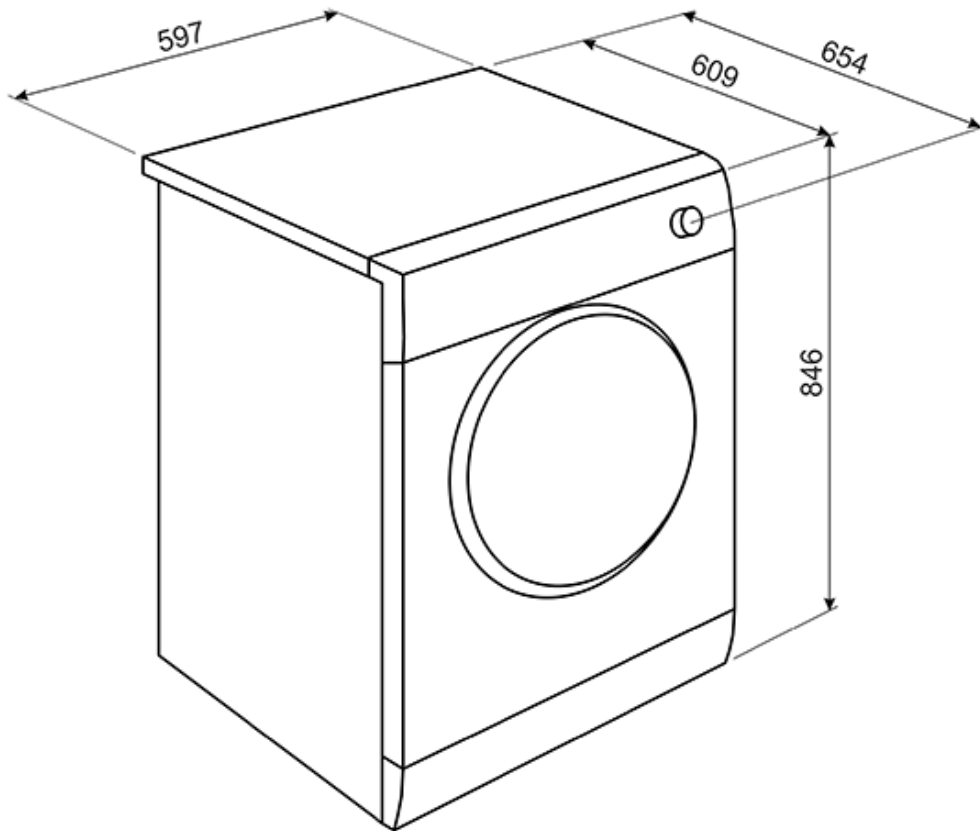
Options

- **KITSPXL** - Stacking kit



DHT83LIN

dryer
free standing
60 cm
white
energy rating A+++
front loading



SMEG S.p.A.
Via Leonardo da Vinci, 4
42016 Guastalla (RE)
Tel. 0522 821 1