

FAB28RBV3

50's Retro style

50's style Refrigerator with ice compartment, Black velvet, Right hand hinge, Energy efficiency class A++

EAN13: 8017709157807



Refrigerator compartment features

Number of adjustable shelves: 3

Type of adjustable shelves: Glass

Criper cover

Bottle shelf

Type of crisper cover: Glass

Refr internal lighting

Refr internal lighting type: Incandescent light

Refrigerator Inner Door

Number of balconies with transparent cover: 1

Number of adjustable balconies: 1

Adjustable balconies with metal wire

Number of bottle balconies: 1

Bottle balconies with metal wire

Other Refrigerator features

Accessories: 1 cursore

Fan

Performance / Energy Label

Annual energy consumption: 180 kWh

Storage volume fresh food compartment: 222 l

Storage frozen food compartment: 26 l

Gross volume fresh food compartment: 230 l

Gross volume frozen food compartment: 26 l

Star rating frozen food compartment: 4

Temperature rising time: 12 h

Freezing capacity: 2 kg/h

Climatic class: SN, N, ST, T

Noise level: 39 dB(A)

Electrical Connection

Voltage (V): 220-240 V

Frequency (Hz): 50 Hz

Plug type: Schuko



Versions

- **FAB28RNE1** - Black, hinges on the right
- **FAB28RAZ1** - Pastel blue, hinges on the right

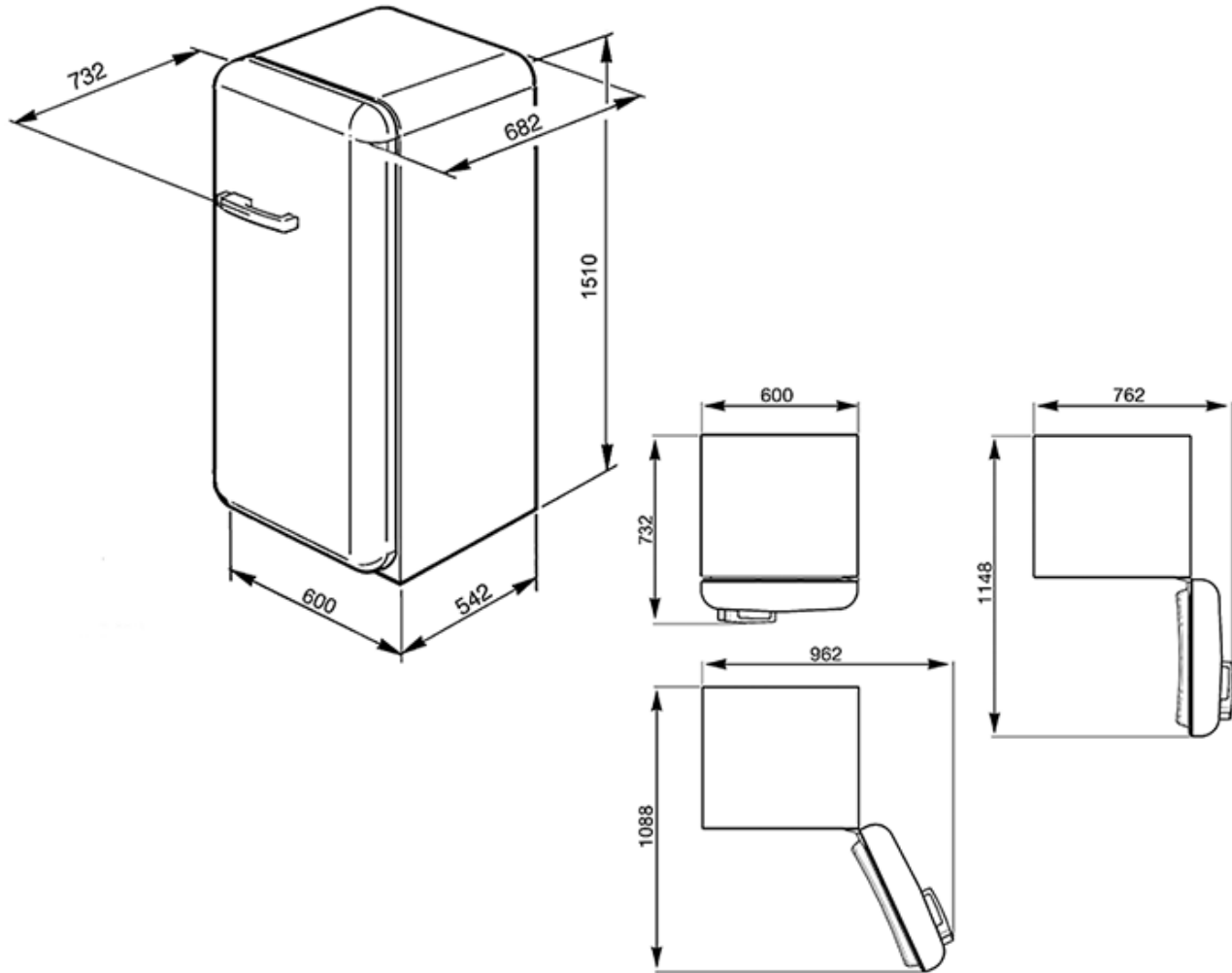
- **FAB28RB1** - White, hinges on the right
- **FAB28RBL1** - Blue, hinges on the right
- **FAB28RCG1** - Chocolate, hinges on the right
- **FAB28RCS1** - Colour stripe, hinges on the right
- **FAB28RDB** - Blue Denim, hinges on the right
- **FAB28RDG** - Gold, hinges on the right
- **FAB28RG1** - Yellow, hinges on the right
- **FAB28RIT1** - Tricolore, hinges on the right
- **FAB28RO1** - Orange, hinges on the right
- **FAB28RP1** - Cream, hinges on the right
- **FAB28RR1** - Red, hinges on the left
- **FAB28RRO1** - Pink, hinges on the right
- **FAB28RUJ1** - Union Jack, hinges on the right
- **FAB28RV1** - Pastel green, hinges on the right
- **FAB28RVE1** - Lime green, hinges on the right
- **FAB28RX1** - Silver, hinges on the right



FAB28RBV3

50's Retro style

refrigerator
free standing
single door
black velvet
energy rating A++



SMEG S.p.A.
Via Leonardo da Vinci, 4
42016 Guastalla (RE)
Tel. 0522 821 1