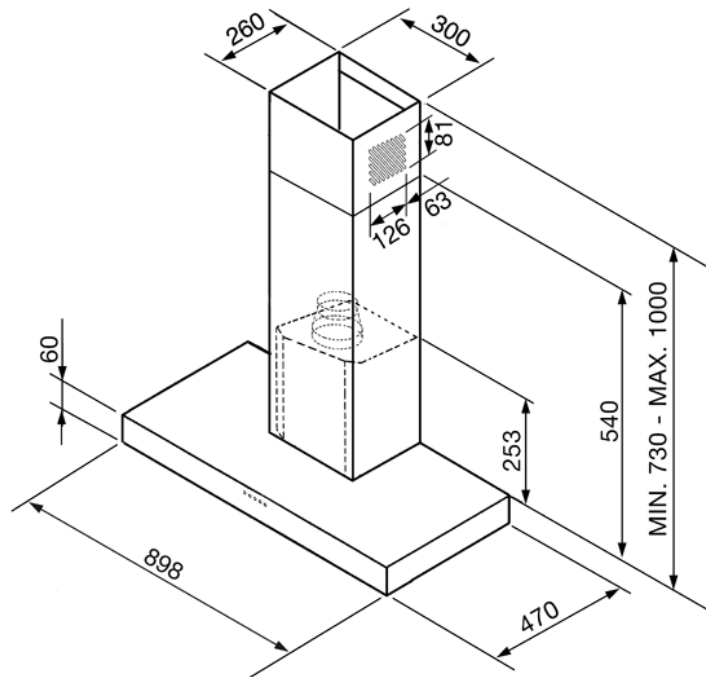


90CM Chimney Hood,  
St/Steel-Glass Frame  
EAN13: 8017709173579



• **Controls** • Control setting: Touch controls • **Programs / Functions** • N° of speed: 3 • Intensive speed: 10 min • 24h air replacement function • Time-setting options: Automatic switch-off • **Technical Features** • N° of lights: 2 • Type of light: Halogen • Light Power: 20 W • Dimmer mode • Motor power: 210 W • Filters number: 3 • Anti-grease filters: Stainless steel • Filter replacement indicator • Vent outlet: 150 mm • Non return valve •

Speed	I	II	III	IV	Intensive
Extraction rate (IEC 61591) [m <sup>3</sup> /h]:	295	443	525	-	792
Noise level (IEC 60704-2-13) [dB(A)]:	40	46	48	-	63

• **Accessories Included** • Tube reduction • **Electrical Connection** • Electrical connection rating: 250 W • Voltage: 220-240 V • Frequency: 50-60 Hz

## Options

- KITFC161 - Charcoal filter