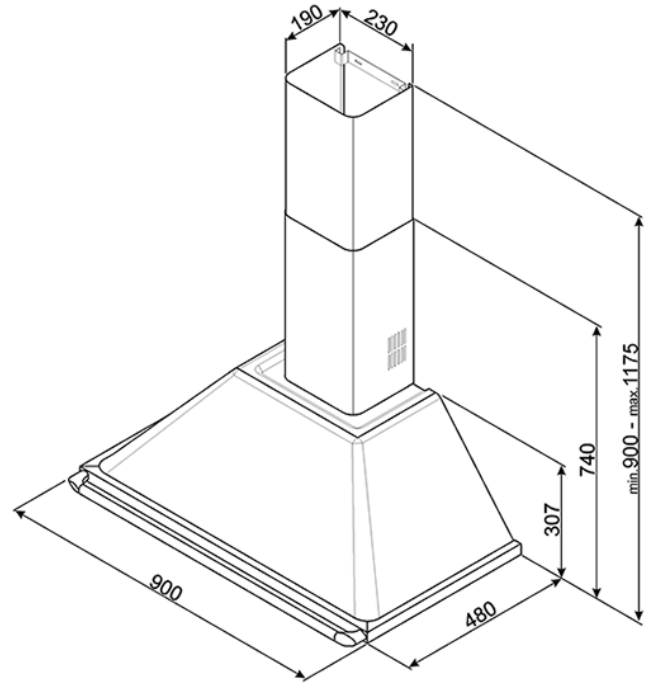


90CM Chimney Hood, Victoria, White,
Energy efficiency class: A
EAN13: 8017709211660



• **Controls** • Control setting: Control knobs • **Programs / Functions** • No. of speeds: 3 • Intensive speed • **Technical Features** • No. of lights: 2 • Light type: LED • Light Power: 2 W • Motor power: 275 W • No. of filters: 3 • Anti-grease filters: Aluminium • Vent outlet: 150 mm • Non return valve •

Speed	I	II	III	IV	Intensive
Extraction rate (IEC 61591) [m ³ /h]:	334	439	567	-	788
Noise level (IEC 60704-2-13) [dB(A)]:	49	57	61	-	69

• **Electrical Connection** • Electrical connection rating: 278 W • Voltage: 220-240 V • Frequency (Hz): 50-60 Hz

Options

- FLT6 - Charcoal filter