

LSTA127

60CM Fully Integrated Washer-Dryer

EAN13: 8017709195045

Programs / Functions

Display: residual time visualization, delay start set, recommended load indication, programme status indication

Display type: LED

Programme selection knob,
Programme/temperature
selection knob,

Buttons/Options: Delay timer/ Prewash/ Additional
rinse/
No spin/ Antiwrinkle (easy ironing)/ Quick/
Intensive/
Cold wash/ Drying

Delay timer option: From 1 to 24 h

Programme progress indicator (light): On display

Number of programmes: 15

Cycles: Cotton Cold, Cotton 40°, Cotton 60°, Cotton
90°,
Quick Wash 30°, Mix 30°, Synthetics 40°,
Synthetics 30°, Wool Cold, Delicate 30°, Drain +
Spin,
Rinse + Spin, Clean, Drying Intensive, Drying
Gentle

Washing Temperature: Freddo, 30°C, 40°C, 60°C,
90°C

Special programmes: Mix, Wool, Quick

Special programme Clean, to remove residual
fluffy

Technical Features

Type of motor: Standard

Electronic control functioning

Spin selection on display/led: No spin /500/600/
800/1000/1200

Display/led for temperature regulation

Polypropilene tank

Drum: Stainless steel

Door diameter: 30 cm

Door opening: 110°

Automatic variable load

Antifoam system



Load balancing system: Automatic

Easy to access filter

Child lock (functions lock)

Watersafe system

Autocleaning system

Furniture door can be fitted on right or left side with adjustable hinges

Water alimentation: Single, cold

Liquid detergent accessory as accessory

Performance / Energy Label

Washing loading capacity: 7 Kg

Drying loading capacity: 4 Kg

Noise level washing: 56 dB(A) re 1pW

Noise level spinning: 70 dB(A) re 1pW

Noise level drying: 58 dB(A) re 1pW

Energy consumption (washing + drying): 5.44 kWh

Water consumption (washing+drying) per cycle: 103 l

Duration of the normative programme: 410 min

Energy consumption - Cotton 60° - Wash only: 1.19 kWh

Energy annual consumption (washing+drying): 1088 kWh

Energy annual consumption (washing): 238 kWh

Water annual consumption (washing): 9400 L

Water annual consumption (washing+drying): 20600 L

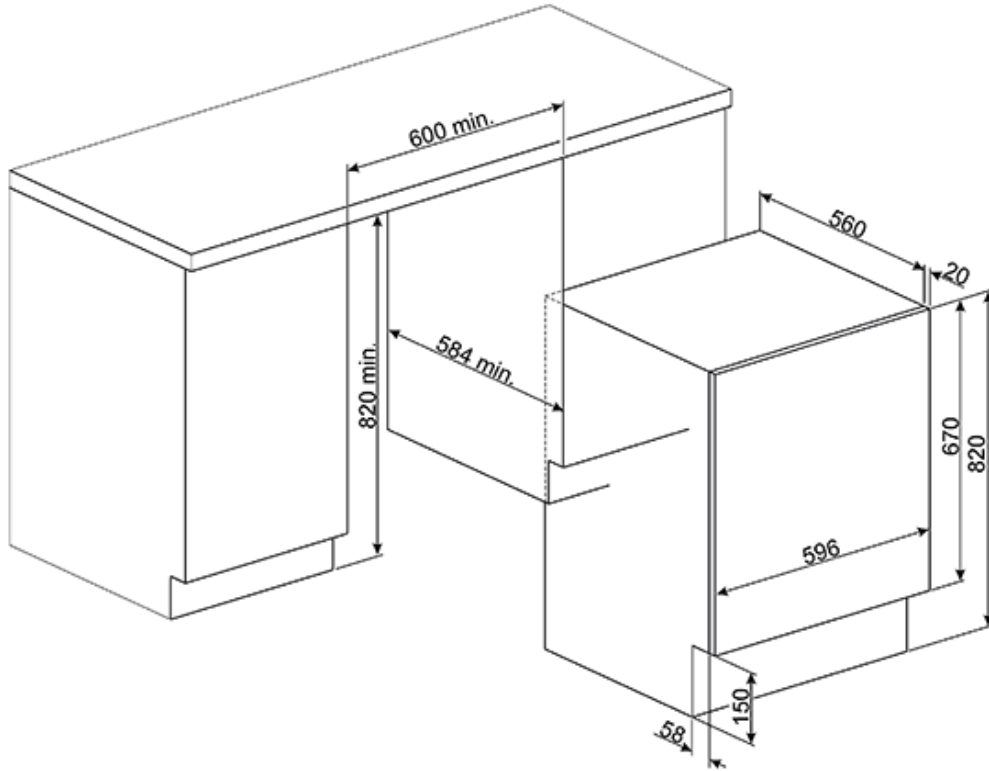
Water consumption (washing) per cycle: 47 L

Residual humidity percentage (%): 55



LSTA127

washer-dryer
built-in
60 cm
spin speed: 500/1200
fully integrated



SMEG S.p.A.
Via Leonardo da Vinci, 4
42016 Guastalla (RE)
Tel. 0522 821 1