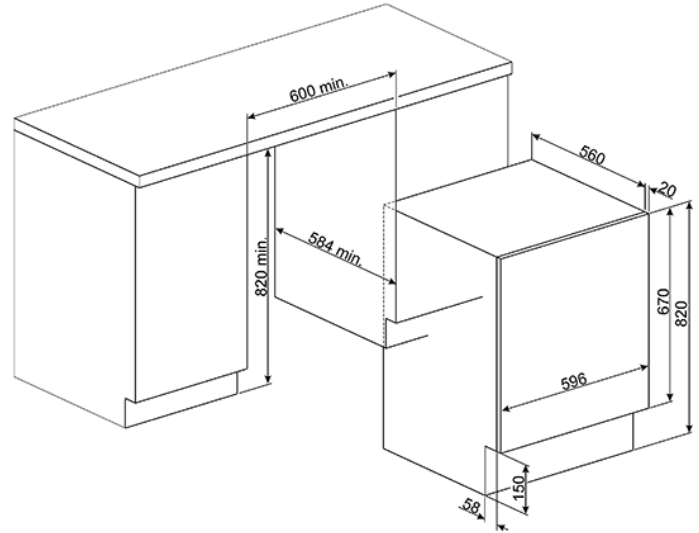


60CM Fully Integrated Washer-Dryer
EAN13: 8017709195045



• **Programs / Functions** • Display: residual time visualization, delay start set, recommended load indication, programme status indication • Display type: LED • Programme selection knob, Programme/temperature selection knob, • Buttons/Options: Delay timer/ Prewash/ Additional rinse/ No spin/ Antiwrinkle (easy ironing)/ Quick/ Intensive/ Cold wash/ Drying • Delay timer option: From 1 to 24 h • Programme progress indicator (light): On display • Number of programmes: 15 • Cycles: Cotton Cold, Cotton 40°, Cotton 60°, Cotton 90°, Quick Wash 30°, Mix 30°, Synthetics 40°, Synthetics 30°, Wool Cold, Delicate 30°, Drain + Spin, Rinse + Spin, Clean, Drying Intensive, Drying Gentle • Washing Temperature: Freddo, 30°C, 40°C, 60°C, 90°C • Special programmes: Mix, Wool, Quick • Special programme Clean, to remove residual fluffy

• **Technical Features** • Type of motor: Standard • Electronic control functioning • Spin selection on display/led: No spin /500/600/800/1000/1200 • Display/led for temperature regulation • Polypropilene tank • Drum: Stainless steel • Door diameter: 30 cm • Door opening: 110° • Automatic variable load • Antifoam system • Load balancing system: Automatic • Easy to access filter • Child lock (functions lock) • Watersafe system • Autocleaning system • Furniture door can be fitted on right or left side with adjustable hinges • Water alimentation: Single, cold • Liquid detergent accessory as accessory • **Performance / Energy Label** • Washing loading capacity: 7 Kg • Drying loading capacity: 4 Kg • Noise level washing: 56 dB(A) re 1pW • Noise level spinning: 70 dB(A) re 1pW • Noise level drying: 58 dB(A) re 1pW • Energy consumption (washing + drying): 5.44 kWh • Water consumption (washing+drying) per cycle: 103 l • Duration of the normative programme: 410 min • Energy consumption - Cotton 60° - Wash only: 1.19 kWh • Energy annual consumption (washing+drying): 1088 kWh • Energy annual consumption (washing): 238 kWh • Water annual consumption (washing): 9400 L • Water annual consumption (washing+drying): 20600 L • Water consumption (washing) per cycle: 47 L • Residual humidity percentage (%): 55