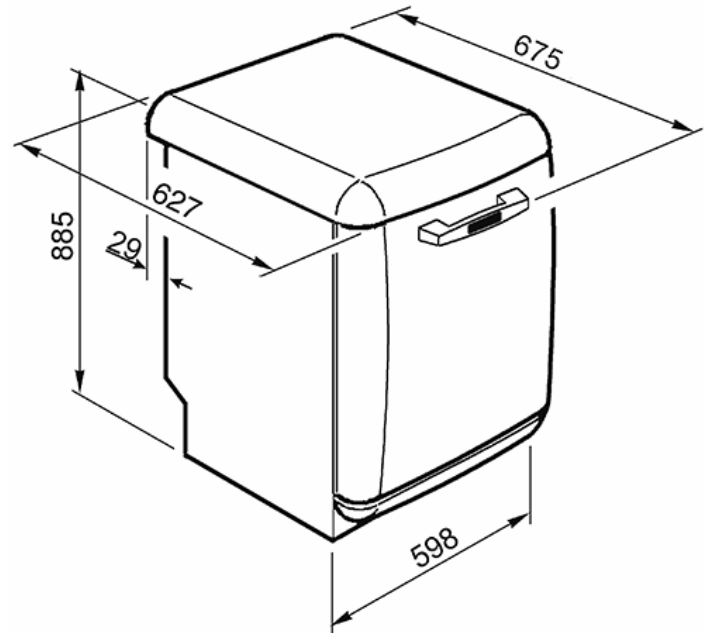


60CM 50's Retro, Freestanding Dishwasher,
Black, Energy Rating: A+++
EAN13: 8017709232108



• Number of place settings: 13 • **Programs / Functions** • No. of programmes: 5+5 quick programmes • Washing temperatures: 38°, 45°, 50°, 65°, 70° °C • Soak, Crystal, ECO, Quick 27 min, ECO Quick, Delicate and Quick, Normal Quick, Auto 45-65, Strong and fast, Ultraclean • **Options** • Delay timer option: Up to 9 hours, with automatic soak 1/2 load FlexiZone option (varied distribution), Options for tabs FlexiTabs, Quick Time option • **Baskets** • Basket colour: Stainless Steel • Basket components colour: Grey • Handle: In plastic with stainless steel insert on upper and lower basket • Wire Handle grip (lower basket) • Upper Basket: With central fixed racks • Height adjustment of the upper basket: On three levels • Upper basket with EasyGlide System • Largest loadable dish in upper basket: 23,5 cm • Lower Basket: With double foldable rack • Lower basket with anti-drip inserts • Largest loadable dish in lower basket: 30 cm • Cutlery basket: 13 place settings sliding • **Technical Features** • Noise level: 42 dB(A) re 1pW • Controls: Electronic • Display type: 1 digit • Display: Delayed start • Programme graphics: Symbols • On/off indicator • Salt light indicator: Light • Rinse aid indicator: Light • End of cycle indicator: Acoustic signal • Washing system: Planetarium • Third spray arm: Single • Water softener: With electronic setting • Turbidity sensor Aquatest • Flood protection system: Total Acquastop • Water supply: Single; cold/hot water max. 60°C - energysave with hot water up to 35% • Drying system: Natural condenser drying, with EnerSave automatic door opening system at the end of the cycle • Tub material: Stainless steel • Filter: Stainless Steel • Concealed heating element • Hinges: Self balancing with fixed hinges • Adjustable feet: Just for levelling • Back cover • Top cover: In plastic • **Electrical Connection** • Connected power: 1800 W • Current: 10 Amp • Voltage: 220-240 V • Type of connection: Single-phase • Frequency (Hz): 50 Hz • Plug type: Schuko

Versions

• LVFABCR - Cream • LVFABLI - Lime green • LVFABOR - Orange • LVFABPB - Pastel Blue • LVFABPK - Pink • LVFABRD - Red • LVFABSV - Silver