

## LVFABCR

### 50's Retro style

60CM 50's Retro, Freestanding Dishwasher, Cream, Energy Rating: A+++

EAN13: 8017709232122

Number of place settings: 13

#### Programs / Functions

No. of programmes: 5+5 quick programmes

Washing temperatures: 38°, 45°, 50°, 65°, 70° °C

Soak, Crystal, ECO, Quick 27 min, ECO Quick, Delicate and Quick, Normal Quick, Auto 45-65, Strong and fast, Ultraclean

#### Options

Delay timer option: Up to 9 hours, with automatic soak  
1/2 load FlexiZone option (varied distribution),  
Options for tabs FlexiTabs, Quick Time option

#### Baskets

Basket colour: Stainless Steel

Basket components colour: Grey

Handle: In plastic with stainless steel insert on upper and lower basket

Wire Handle grip (lower basket)

Upper Basket: With central fixed racks

Height adjustment of the upper basket: On three levels

Upper basket with EasyGlide System

Largest loadable dish in upper basket: 23,5 cm

Lower Basket: With double foldable rack

Lower basket with anti-drip inserts

Largest loadable dish in lower basket: 30 cm

Cutlery basket: 13 place settings sliding

#### Technical Features

Noise level: 42 dB(A) re 1pW

Controls: Electronic

Display type: 1 digit

Display: Delayed start

Programme graphics: Symbols

On/off indicator

Salt light indicator: Light

Rinse aid indicator: Light

End of cycle indicator: Acoustic signal

Washing system: Planetarium

Third spray arm: Single

Water softener: With electronic setting

Turbidity sensor Aquatest

Flood protection system: Total Acquastop

Water supply: Single; cold/hot water max. 60°C - energysave with hot water up to 35%

Drying system: Natural condenser drying, with EnerSave automatic door opening system at the end of the cycle

Tub material: Stainless steel

Filter: Stainless Steel



Concealed heating element

Hinges: Self balancing with fixed hinges

Adjustable feet: Just for levelling

Back cover

Top cover: In plastic

**Electrical Connection**

Connected power: 1800 W

Current: 10 Amp

Voltage: 220-240 V

Type of connection: Single-phase

Frequency (Hz): 50 Hz

Plug type: Schuko

## Versions

---

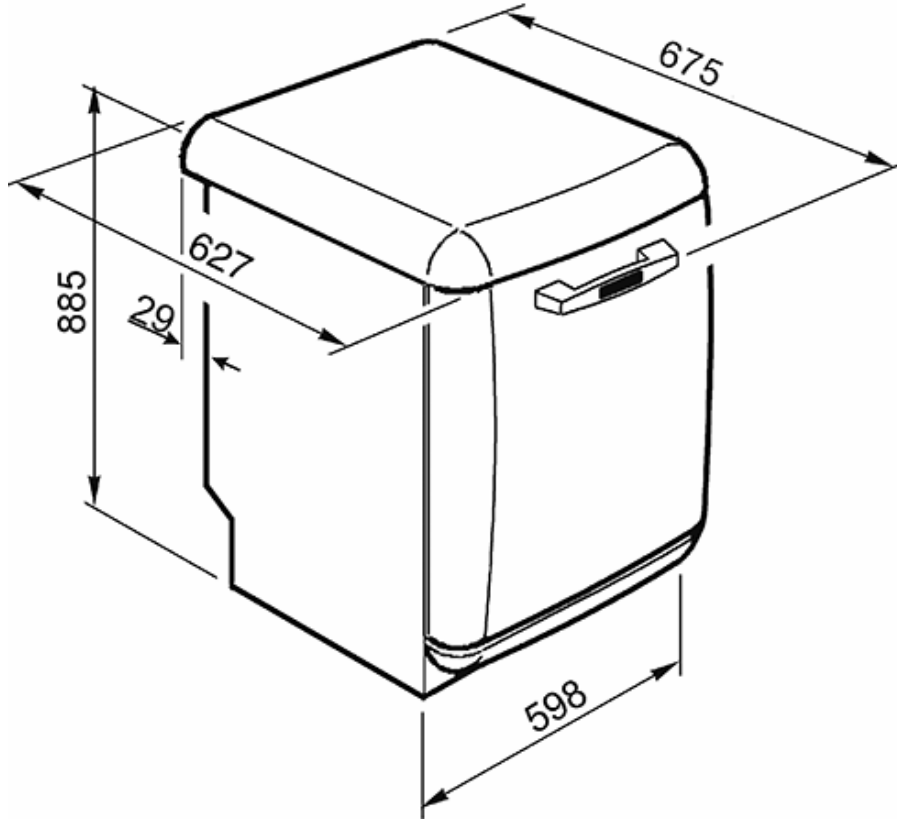
- **LVFABBL** - Black
- **LVFABLI** - Lime green
- **LVFABOR** - Orange
- **LVFABPB** - Pastel Blue
- **LVFABPK** - Pink
- **LVFABRD** - Red
- **LVFABSV** - Silver



## LVFABCR

50's Retro style

free standing  
60 cm  
cream  
planetarium  
energy rating A+++



SMEG S.p.A.  
Via Leonardo da Vinci, 4  
42016 Guastalla (RE)  
Tel. 0522 821 1