

SE363ETB

Ceramic Hob, 60 cm, Black

EAN13: 8017709234744

Built-in: Ultra-low profile

Glass edge: Angled edge

Programs / Functions

Total no. of cook zones: 3

No. of ceramic cook zones: 3

No. of cooking zones with Booster: 3

Main on/off switch

Power levels: 9

Controls

Control setting: Touch control

Options

Keep warm automatic function

End cooking timer: 3

Minute minder: 1

End of cooking acoustic alarm

Residual time indicator

Limited Power Consumption Mode - Steps: 2800, 4000 W

Show Room Demo Option

Control Lock / Child Safety

Quick start

Cooking zones

Front left - Ceramic - single - 1800 W - Ø 18.4 cm

Rear left - Ceramic - single - 1200 W - Ø 14.8 cm

Right - Ceramic - triple - 1050 - 1950 - 2700 W - Ø 15.0 - Ø 21.6 - Ø 28.8 cm

Front right - Ceramic - single - 1200 W - Ø 14.0 cm

Accessories Included

Scraper: 1

Electrical Connection

Electrical connection rating (W): 5700 W

Current: 25 Amp

Voltage (V): 220-240 V

Voltage 2 (V): 380-415 V



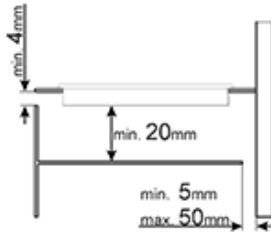
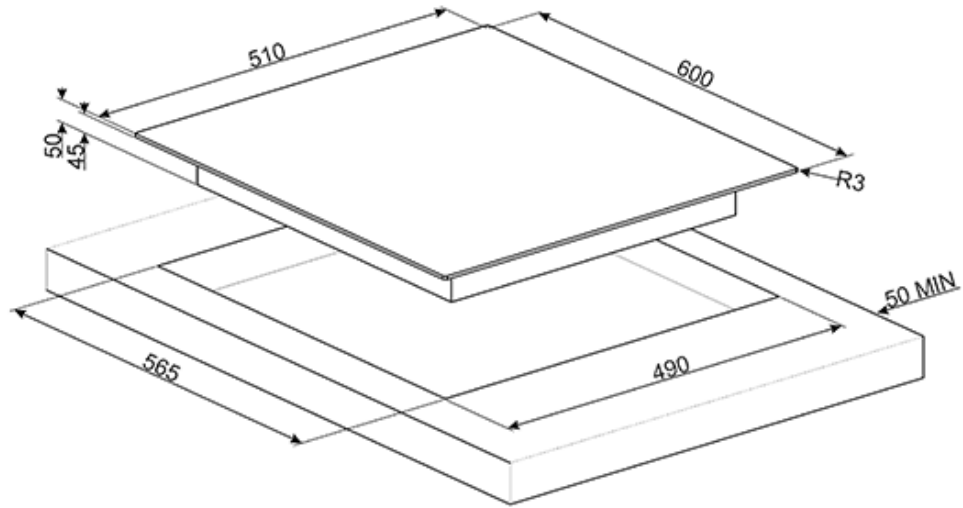
Frequency (Hz): 50/60 Hz

SMEG S.p.A.
Via Leonardo da Vinci, 4
42016 Guastalla (RE)
Tel. 0522 821 1



SE363ETB

electric
60 cm
black
ceramic hob



SMEG S.p.A.
Via Leonardo da Vinci, 4
42016 Guastalla (RE)
Tel. 0522 821 1