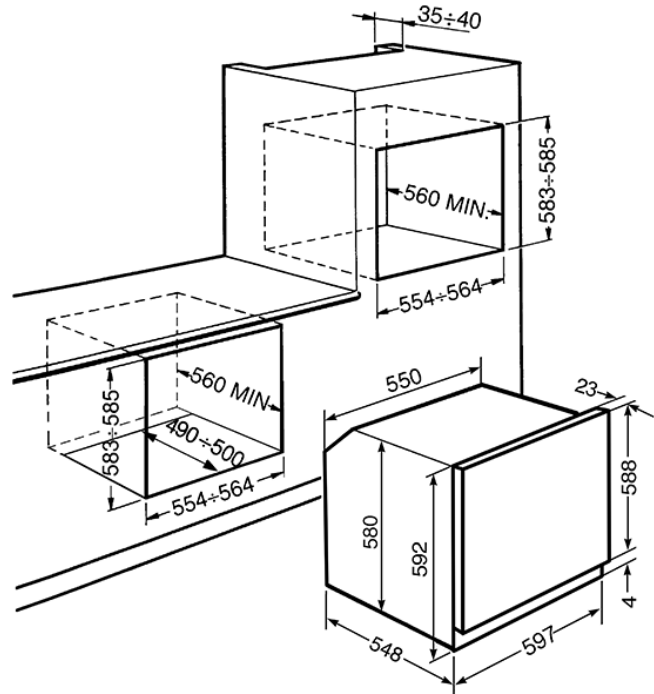


60CM "Dolce Stil Novo" electric thermoventilated oven, pyrolytic, Black glass.

Energy Rating: A+

EAN13: 8017709217884



• **Aesthetics** • **Component finish: Copper** • **Programs / Functions** • No. of cooking functions: 10 • Cleaning functions: Pirolisis/ Pirolisis eco • Customisable recipes: 10 • Automatic programmes: 50 • Other functions: Defrost by time, Defrost by weight, Plate rack/warmer, Proving, Sabbath • **Controls** • Display / Clock: **TFT graphic, colour touch screen** • Easyguide display • **Options** • Cooking time setting: Delay start and automatic end cooking • End of cooking acoustic alarm • Minute minder • Power limiter • Showroom demo option • Controls Lock / Child Safety • Rapid pre-heating • Other options: SmartCook system, Keep warm, Eco light, Language setting, Digital clock display, Tones • Minimum Temperature: 30 °C • Maximum temperature: 280 °C • **Technical Features** • Cavity material: Ever clean Enamel • Net Volume: 70 litres • Gross volume: 79 litres • No. of shelves: 5 • Shelves type: Metal racks • No. of lights: 2 • Light type: Halogen • Light Power: 40 W • Light when door is opened • Full glass inner door • Removable inner door • Heating suspended when door is opened • Cooling system: Tangential • Door: Cool • Soft Close hinges • **Accessories Included** • Grill mesh: 1 • Grid with back and side stop: 2 • Enamelled tray (20mm): 1 • Enamelled deep tray (40mm): 1 • Telescopic Guide rails, total Extraction : 1 • **Electrical Connection** • Voltage: 220-240 V • Electrical connection rating (W): 3000 W • Current: 13 Amp • Frequency (Hz): 50/60 Hz

FUNCTIONS



Main Oven