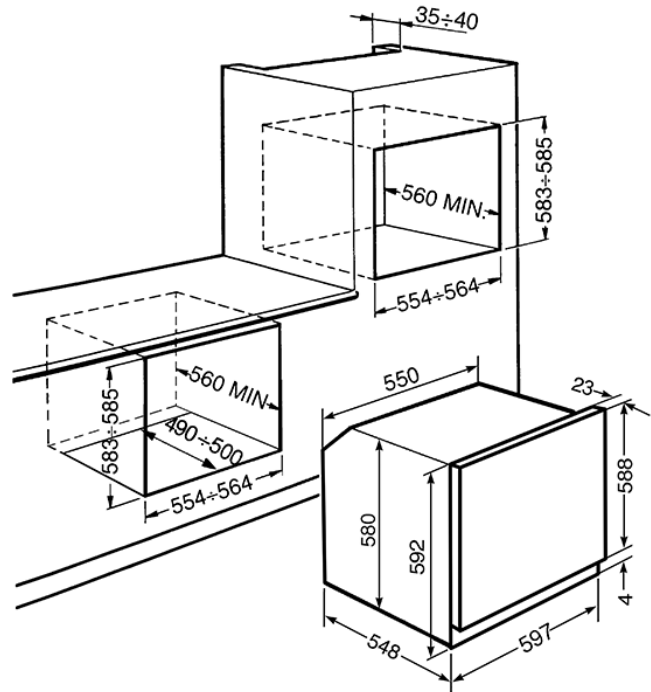


60CM "Victoria" Pizza Oven Thermoventilated,  
 Pyrolytic, Fingerproof Stainless Steel,  
 Energy Rating A+  
 EAN13: 8017709218904



• **Programs / Functions** • No. of cooking functions: 10 • Cleaning functions: Pirolisis/ Pirolisis eco • Automatic programmes: 20 • Other functions: Defrost by time, Defrost by weight, Proving, Sabbath • **Controls** • Display / Clock: Large LCD • **Options** • Cooking time setting: Delay start and automatic end cooking • End of cooking acoustic alarm • Minute minder • Power limiter • Showroom demo option • Controls Lock / Child Safety • Other options: Keep warm, Eco light • Rapid pre-heating • Minimum Temperature: 30 °C • Maximum temperature: 280 °C • **Technical Features** • Cavity material: Ever clean Enamel • Net Volume: 65 litres • Gross volume: 79 litres • No. of shelves: 5 • Shelves type: Metal racks • No. of lights: 2 • Light type: Halogen • Light Power: 40 W • Light when door is opened • Full glass inner door • Removable inner door • Heating suspended when door is opened • Cooling system: Tangential • Door: Cool • Soft Close hinges • **Accessories Included** • Grill mesh: 1 • Grid with back and side stop: 2 • Enamelled tray (20mm): 1 • Enamelled deep tray (40mm): 1 • Telescopic Guide rails, total Extraction : 1 • Pizza Accessories: Refractory stone (round without handles) + cover + shovel • **Electrical Connection** • Voltage: 220-240 V • Electrical connection rating (W): 3000 W • Current: 13 Amp • Frequency (Hz): 50/60 Hz

## FUNCTIONS



Main Oven