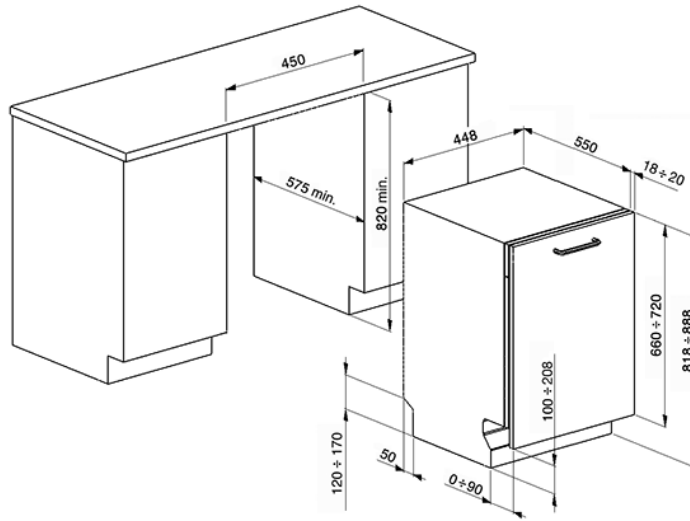


60CM Fully Integrated Dishwasher,
Energy rating AA
EAN13: 8017709176990



• **Programs / Functions** • Number of programmes: 5 • Washing temperatures: 45°, 50°, 65°, 70° C • Soak, Crystal, ECO, Super, Daily 1/2 load • **Options** • Delay timer option: 3-6-9 hours, with automatic soak • Options for tabs FlexiTabs • **Baskets** • Basket colour: Gray • Basket components colour: Gray • Upper Basket: With central fixed racks • Height adjustment of the upper basket: On two levels, by extraction • Lower Basket: With fixed racks • **Technical Features** • Number of place settings: 10 • Controls: Electronic • Salt light indicator: Light • Rinse aid light indicator: Light • End of cycle indicator: Acoustic signal • Washing system: SwingWash • Third spray arm: Single • Water softener: With electronic setting • Water protection system: Single Acquastop • Water alimentation: Single; cold/hot water max. 60°C - energysave with hot water up to 35% • Drying system: Natural condenser drying • Tub material: Stainless steel • Filter: Stainless Steel • Hinges: Self balancing with fixed fulcrum • Adjustable feet: 7 cm, da 820 a 890 mm • **Performance / Energy Label** • Energy consumption per cycle (kWh/ciclo): 0.94 kWh • Water consumption per cycle (l/cycle): 11 l • Annual energy consumption: 266 kWh • Annual water consumption: 3080 l • Reference programme: ECO • Total cycle time of reference programme (min): 165 min • Energy consumption - stand by off mode: 0.02 W • Energy consumption - stand by on mode: 0.80 W • Duration of the stand by on mode (min): 5 min • Noise level: 47 dB(A) re 1 pW • **Electrical Connection** • Nominal power: 1400 W • Current: 10 A • Voltage: 220-230 V • Type of connection: Single-phase • Frequency: 50 Hz • Plug type: Schuko