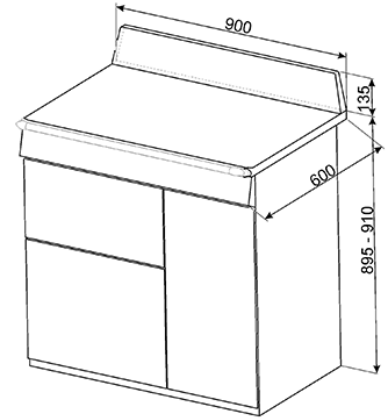
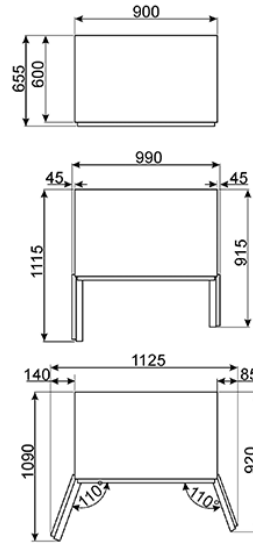


90CM Cooker with Multifunction Oven & Induction Hob, "Victoria", Black, Energy rating AB
 EAN13: 8017709196790



• **Programs/Functions** • No.functions:9 • **Programs/Functions Auxiliary Oven** • No.functions:1 • **Aesthetics** • Door:With frame • Upstand:yes • Command panel finish:Enamelled metal • Display:electronic 5 buttons • Glass type:Black • Plinth:Anthracite • **Hob technical features** • Total no.cook zones:5 • Front left-Induction-single-1300 W-Ø D215mm • Rear left-Induction- single- 2300 W-Ø D175mm • Central-Induction-single- 2300 W-Ø D265mm • Rear right-Induction-single-1300 W- Ø D215mm • Front right-Induction-single-2300 W- Ø D175mm • **Main Oven Technical Features** • Type of main oven:Thermo-ventilated • Gross capacity(Lt)oven 1:68 • Cavity material: Ever Clean enamel • Usable volume, cavity 1:61 litres • No.shelves:4 • Type shelves:Metal racks • Roof Liner • No.lights:1 • Cooking time setting:Start and Stop • Side opening door • Removable door • Full glass inner door • Removable inner door • Total no.door glasses:3 • Grill element:1700 W • Grill type: Electric • Large grill-Power: 2700 W • **Options Main Oven** • Timer • End of cooking acoustic alarm • Minimum Temperature:50°C • Maximum temperature:260°C • **Second Oven Technical Features** • Type of oven 2:Fan assisted • Net capacity(Lt)oven2:65 • Gross capacity(Lt)oven2:69 • Cavity material:Ever Clean enamel • No.shelves:9 • Type shelves:Metal racks • No. lights:1 • Side opening door • Removable door • Full glass inner door • Removable inner door • No.total door glasses:2 • Cooling system:Tangential • Grill type:Electric • **Options Auxiliary Oven** • Minimum Temperature:50 °C • Maximum temperature:245 °C • **Third Oven Technical Features** • Net capacity(Lt)oven3:36 • Gross capacity(Lt)oven3:41 • Cavity material:Ever Clean enamel • No.shelves:2 • Type shelves:Metal racks • Tilting grill • No.lights:1 • Removable door • Full glass inner door • Removable inner door • No.total door glasses:3 • Cooling system:Tangential • Grill type:Electric • Large grill-Power:2700 W • **Options Third Oven** • Minimum Temperature:50°C • Maximum temperature:260°C • **Accessories included for Main Oven & Hob** • Scraper:1 • TOP Oven grid with back stop:2 • Grill mesh:1 • 40mm deep tray:1 • Telescopic Guide rails, partial Extraction:1 • **Accessories included for Secondary Oven** • Oven grid with back stop:4 • Plate rack/warmer:1 • **Accessories included for Third Oven** • Oven grid with back and side stop:1 • 40mm deep tray:1 • **Electrical Connection** • Electrical connection rating: 9600 W • Current:86 Amp • Voltage:220-240 V • Frequency:50/60 Hz

FUNCTIONS



Main Oven

Auxiliary Oven