

WHT1114LSIN

60 cm Free-standing Washing-machine, White, Energy efficiency class A+++

EAN13: 8017709209490

Programs / Functions

Display: Residual time indicator, delay start, programme status indication, spin regulation, temperature regulation

Display type: LCD

Programme selection knob

Buttons/Options: Delay timer/ Prewash/ Additional rinse/
No spin/ Rinse hold/ Anti-wrinkle (easy ironing)/ Steam/
Cold wash

Delay timer option: From 1 to 24 h

Programme progress indicator (light): On display

No. of programmes: 16

Programmes: Cotton, Cotton ECO, Woolmark Hand Wash Safe, Drain + Spin, Sport, Mix, Shirts, Anti-allergy, Ultra Delicate, Dark Wash, Duvet, Hand Wash, Silk, Quick Wash 14 min, Synthetics, Refresh

Washing Temperature: Cool, 20°C, 30°C, 40°C, 50°C, 60°C, 70°C, 80°C, 90°C

Special programmes: Woolmark Hand Wash Safe, Anti-allergy, Handwash, Quick 14 min, Quilt

Woolmark Cycle: Yes, Woolmark Wool Hand Wash Safe

Woolmark Code: M14104

Technical Features

Load capacity: 11 Kg

Effective consumption: 10% less than energy rating A+++

Type of motor: Brushless/Inverter

Direct Motion motor

Electronic control functioning

Spin speed selection on display/LED: No spin/
400/ 600/
800/ 1000/ 1200/ 1400/ Rinse hold

Display/led for temperature regulation

Polypropilene tank



Basket: Stainless steel

Door diameter: 34 cm

Door opening: 170°

Automatic variable load

Antifoam system

Load balancing system: Automatic

Easy to access filter

Child lock (functions block): Control block

Anti-flood system

Aquastop system: Total

Liquid detergent accessory as standard

Performance / Energy Label

Noise level washing: 59 dB(A) re 1pW

Noise level spinning: 76 dB(A) re 1pW

Normative programmes: Cotton 60° and Cotton 40°

Energy consumption - Cotton 60° full load: 1.21
KWh

Total time cycle - Cotton 60° full load: 236 min

Energy consumption - Cotton 60° half load: 0.92
KWh

Total cycle time - Cotton 60° half load: 190 min

Energy consumption - Cotton 40° half load: 0.91
KWh

Total cycle time - Cotton 40° half load: 190 min

Total annual energy consumption (Washing): 233
KWh

Total annual water consumption: 13200 litres

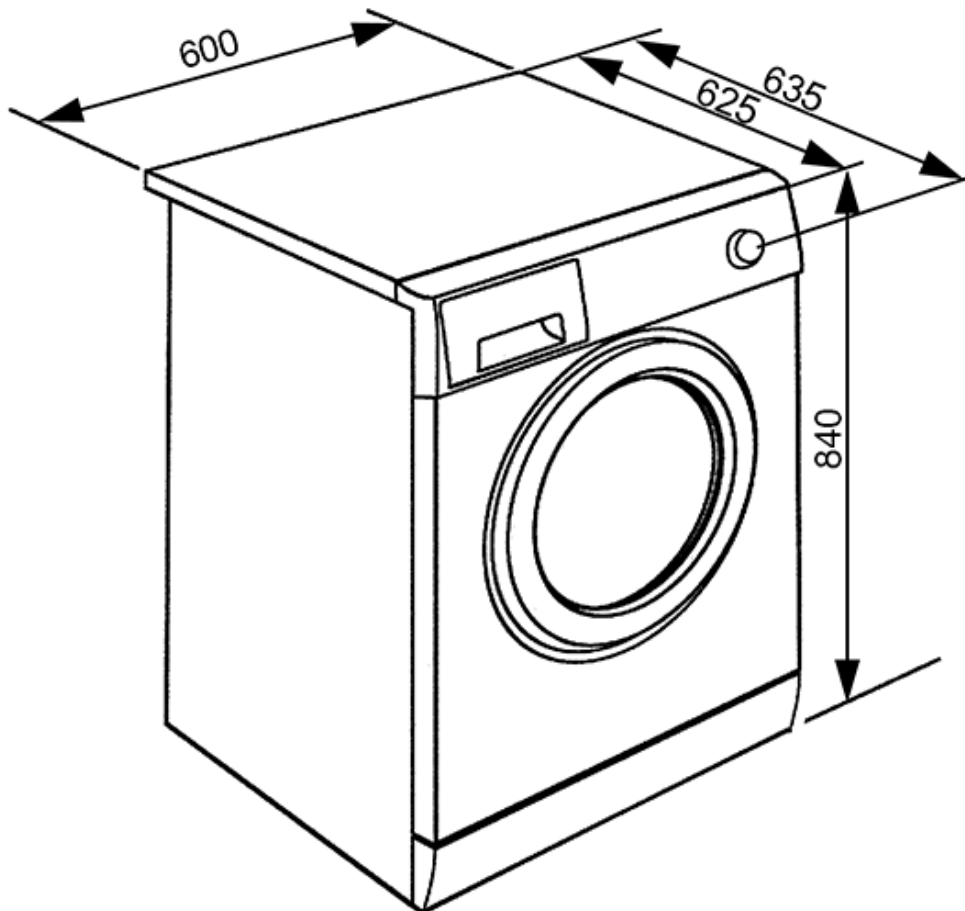
Energy consumption - Stand by left on mode: 0.64
W

Energy consumption - Stand by off mode: 0.44 W



WHT1114LSIN

washing machine
free standing
60 cm
white
energy rating A+++
spin speed: 1400
front loading



SMEG S.p.A.
Via Leonardo da Vinci, 4
42016 Guastalla (RE)
Tel. 0522 821 1