

WHT814EIN

60 cm Free-standing Washing-machine,
White, Energy efficiency class
A+++

EAN13: 8017709209476

Programs / Functions

Display: residual time visualization, delay start set, programme status indication, spin regulation, temperature regulation

Display type: LED

Programme selection knob

Buttons/Options: Delay timer/ Prewash/ Additional rinse/
No spin/ Rinse hold/ Quick/ Cold wash

Delay timer option: From 1 to 24 h

Programme progress indicator (light): On display

Number of programmes: 16

Washing programs: Cotton, Cotton ECO, Jeans, Delicate 20°, Drain + Spin, Sport, Mix, Shirt, Hygiene Care, Dark Wash, Hand Wash, Curtain, Synthetics, Lingerie, Woolmark Apparel Care

Washing Temperature: Freddo, 30°C, 40°C, 60°C, 90°C

Special programmes: Business, Jeans, Curtain, Quick 14 min, Woolmark Apparel Care

Woolmark Cycle: Yes, Woolmark Apparel Care

Woolmark Code: M1325

Technical Features

Load capacity: 8 Kg

Max speed: 1400 rpm

Type of motor: Brushless / Inverter

Electronic control functioning

Display/led for temperature regulation

Spin selection on display/led: No spin/ 600/ 800/ 1400/
Rinse hold

Polypropilene tank

Drum: Stainless steel

Door diameter: 34 cm

Door opening: 170°



Automatic variable load

Antifoam system

Load balancing system: Automatic

Easy to access filter

Child lock (functions lock)

Watersafe system

Water protect system: Total

Liquid detergent accessory as accessory

Performance / Energy Label

Noise level washing: 53 dB(A) re 1pW

Noise level spinning: 76 dB(A) re 1pW

Normative programmes: Cotton 60° and Cotton 40°

Energy consumption - Cotton 60° full load: 1.2 kWh

Total time cycle - Cotton 60° full load: 235 min

Energy consumption - Cotton 60° half load: 0.625 kWh

Total cycle time - Cotton 60° half load: 200 min

Energy consumption - Cotton 40° half load: 0.63 kWh

Total cycle time - Cotton 40° half load: 200 min

Total annual energy consumption (Washing): 196 kWh

Total annual water consumption: 10560 L

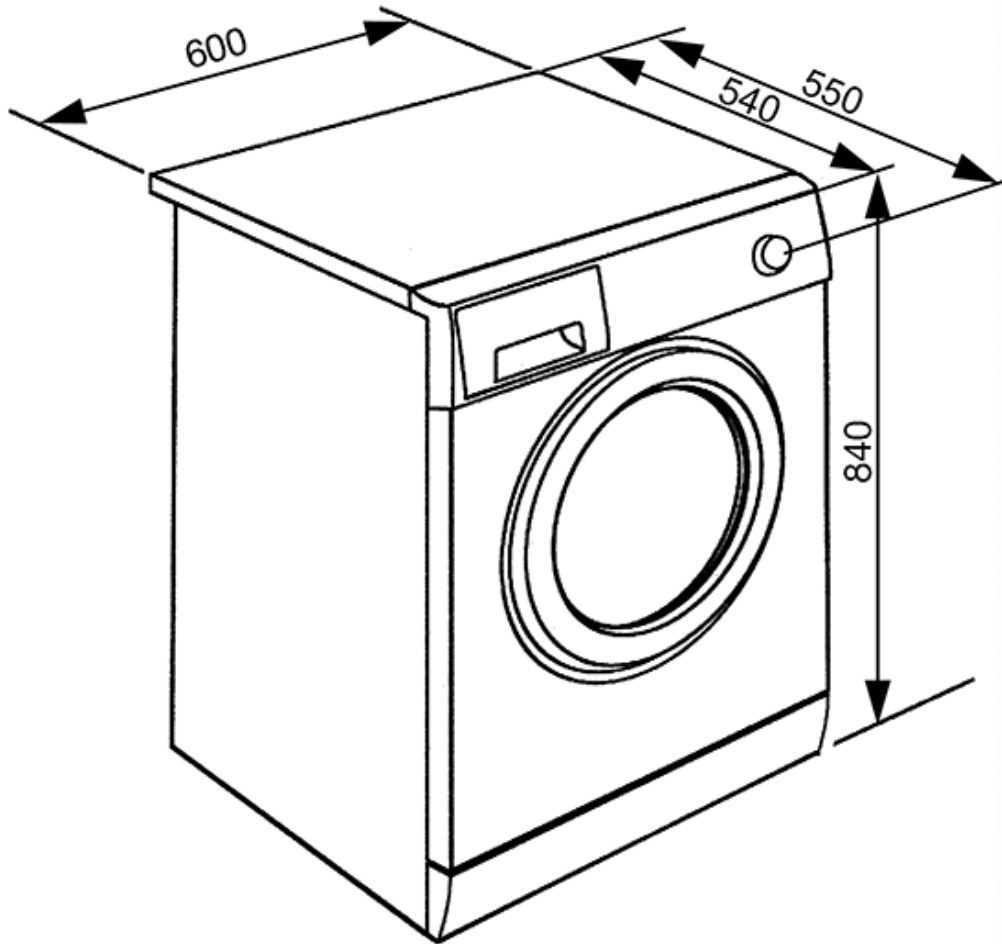
Energy consumption - Stand by left on mode: 0.5 W

Energy consumption - Stand by off mode: 0.5 W



WHT814EIN

washing machine
free standing
60 cm
white
energy rating A+++
spin speed: 1400
front loading



SMEG S.p.A.
Via Leonardo da Vinci, 4
42016 Guastalla (RE)
Tel. 0522 821 1