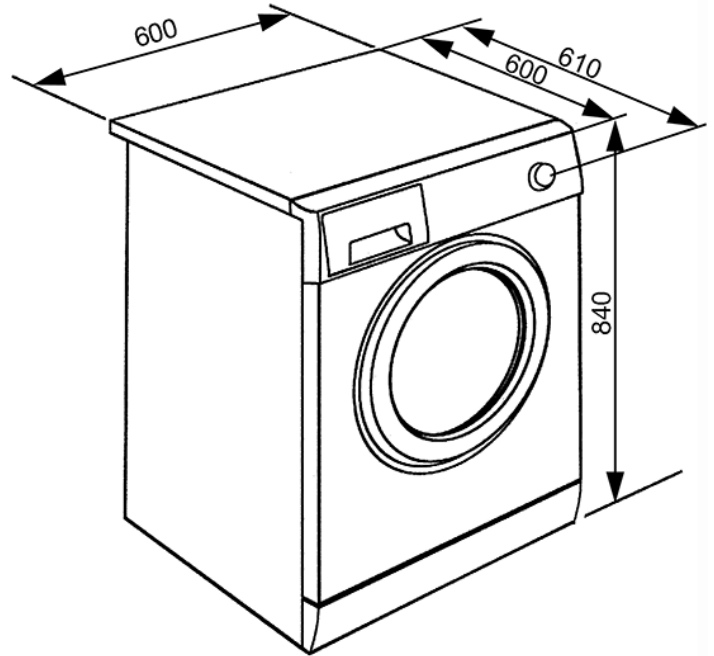


60 cm Free-standing Washing-machine, White, Energy efficiency class A+++  
EAN13: 8017709209483



• **Programs / Functions** • Display: Residual time indicator, delay start, programme status indication, spin regulation, temperature regulation • Display type: LCD • Programme selection knob • Buttons/Options: Delay timer/ Prewash/ Additional rinse/ No spin/ Rinse hold/ Anti-wrinkle (easy ironing)/ Steam/ Cold wash • Delay timer option: From 1 to 24 h • Programme progress indicator (light): On display • No. of programmes: 16 • Programmes: Cotton, Cotton ECO, Drain + Spin, Sport, Mix, Shirts, Anti-allergy, Dark Wash, Duvet, Hand Wash, Quick Wash 14 min, Curtains, Synthetics, Refresh, Woolmark Apparel Care, Delicates • Washing Temperature: Cool, 20°C, 30°C, 40°C, 50°C, 60°C, 70°C, 80°C, 90°C • Special programmes: Woolmark Apparel Care, Handwash, Quick 14 min, Curtains, Quilt • Woolmark Cycle: Yes, Woolmark Apparel Care • **Woolmark Code: M13985** • **Technical Features** • Load capacity: 9 Kg • Type of motor: Brushless/Inverter • Electronic control functioning • Spin speed selection on display/LED: No spin/ 400/ 600/ 800/ 1000/ 1200/ 1400/ Rinse hold • Display/led for temperature regulation • Polypropilene tank • Basket: Stainless steel • Door diameter: 34 cm • Door opening: 170° • Automatic variable load • Antifoam system • Load balancing system: Automatic • Easy to access filter • Child lock (functions block): Control block • Anti-flood system • Aquastop system: Total • Liquid detergent accessory as standard • **Performance / Energy Label** • Noise level washing: 53 dB(A) re 1pW • Noise level spinning: 76 dB(A) re 1pW • Normative programmes: Cotton 60° and Cotton 40° • Energy consumption - Cotton 60° full load: 1.06 KWh • Total time cycle - Cotton 60° full load: 224 min • Energy consumption - Cotton 60° half load: 0.9 KWh • Total cycle time - Cotton 60° half load: 190 min • Energy consumption - Cotton 40° half load: 0.84 KWh • Total cycle time - Cotton 40° half load: 190 min • Total annual energy consumption ( Washing): 214 KWh • Total annual water consumption: 10560 litres • Energy consumption - Stand by left on mode: 0.64 W • Energy consumption - Stand by off mode: 0.44 W